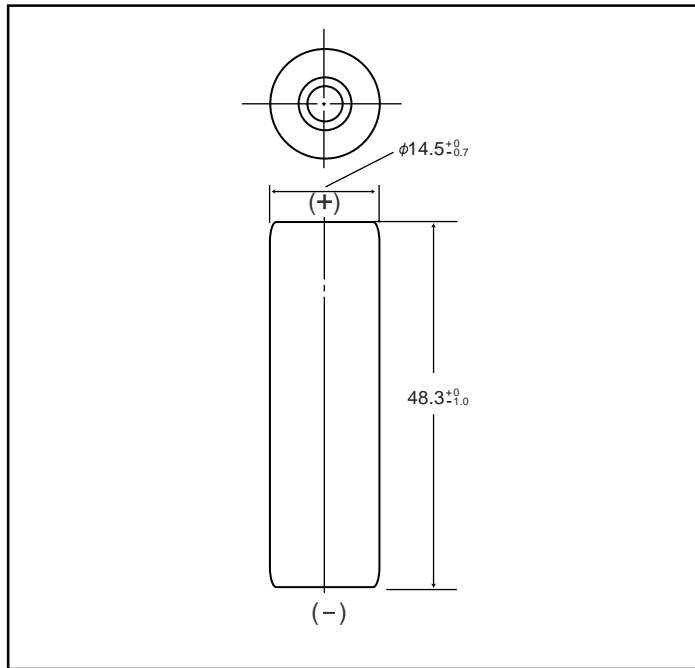


NICKEL CADMIUM BATTERIES: INDIVIDUAL DATA SHEET

P-70AARC/FT AA size Type: R

Dimensions (with tube) (mm)



Specifications

	mm	inch
Diameter	14.5 +0/-0.7	0.57 +0/-0.03
Height	48.3 +0/-1.0	1.90 +0/-0.04
Approximate Weight	Grams	Ounces
	22g	0.78

Nominal Voltage		1.2V		
Discharge Capacity*	Average**	740mAh		
	Rated (Min.)	700mAh		
Approx. Internal impedance at 1000Hz at charged state		13mΩ		
Charge	Standard	70mA (0.1It) x 16 hrs.		
	Rapid***	700mA (1It) x 1.5 hrs.		
Ambient Temperature	Charge	Standard	°C	°F
			0°C to 45°C	32°F to 113°F
	Rapid	10°C to 40°C	50°F to 104°F	
		Discharge		-20°C to 65°C
Storage	< 2 years	-20°C to 35°C	-4°F to 95°F	
	< 6 months	-20°C to 45°C	-4°F to 113°F	

* 0.2It discharge capacity after charging at 0.1It for 16 hours.

** For reference only.

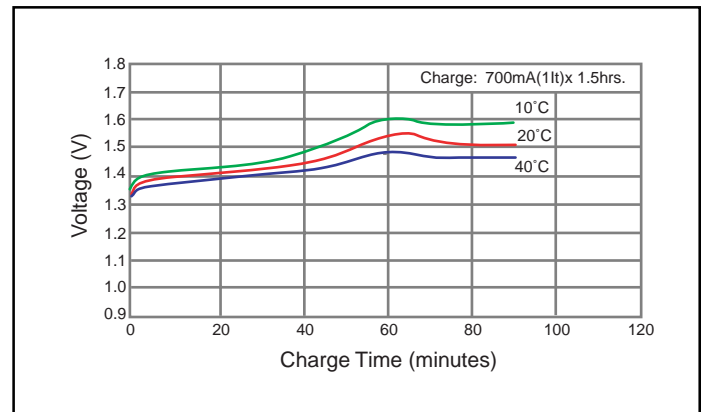
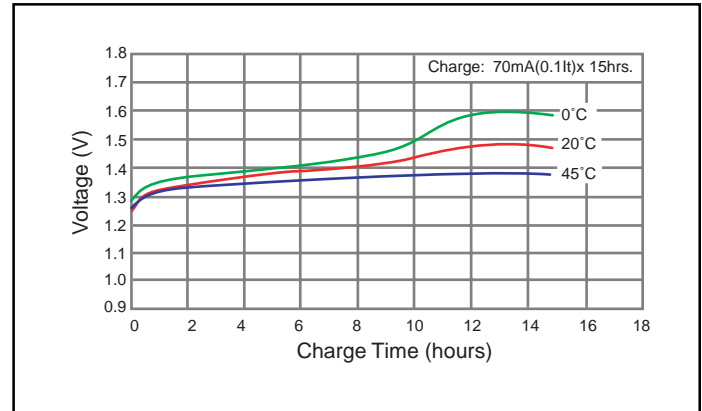
*** Refer to "Charge Methods for Ni-Cd Batteries"

Battery performance and cycle life are strongly affected by how they are used. In order to maximize battery safety, please consult Panasonic when determining charge / discharge specs, warning label contents and unit design.

Note: [It] was previously expressed as [C]. [It] is an IEC standard expression for the amount of charge or discharge current and is expressed as: $It(A) = C_n (Ah)/1h$.

- [It] is the reference test current in amperes
- [Cn] is the rated capacity of the cell or battery in Ampere-hours. n = the time base [hours] for which the rated capacity is declared

Typical Charge Characteristics



Typical Discharge Characteristics

